

BEHLER-YOUNG

C O M P A N Y

COMMERCIAL DUCT PRODUCT GUIDE

DECEMBER 2019 | B-Y.COM

TABLE OF CONTENTS

Spiral Pipe Fittings	1
Gasketed Spiral Fittings	5
Spiralmate Round Connection System	8
Greenseam Plus Pipe & Fittings	9
HETO's, Conicals, Collars	10
Pre-Insulated Rectangular Ductwork	13
Steel Sheets & Coils	14
Strut & Threaded Rod	16
Rectangular Duct Connection Systems	17
Mechanical Hanging Systems	22
Vane Systems	23
Duct Reinforcements	24
Access Doors	25
Duct Sealants	27
Adhesives	29
Wrap & Duct Liner	31
Spotter Pins	33
Damper Regulators & Hardware	34
Flexible Duct Connector	36
Fire Protection Products	37

SPIRAL PIPE

- Available in 22, 24, 26 gauge
- Available in double wall, paint ready and oval



PART #	DESCRIPTION
GALV-4	PIPE SPIRAL GALV 4"x10'
GALV-6	PIPE SPIRAL GALV 6"x10'
GALV-8	PIPE SPIRAL GALV 8"x10'
GALV-10	PIPE SPIRAL GALV 10"x10'
GALV-12	PIPE SPIRAL GALV 12"x10'
GALV-14	PIPE SPIRAL GALV 14"x10'
GALV-16	PIPE SPIRAL GALV 16"x10'
GALV-18	PIPE SPIRAL GALV 18"x10'
GALV-20	PIPE SPIRAL GALV 20"x10'
GALV-22	PIPE SPIRAL GALV 22"x10'
GALV-24	PIPE SPIRAL GALV 24"x10'
GALV-26	PIPE SPIRAL GALV 26"x10'
GALV-28	PIPE SPIRAL GALV 28"x10'
GALV-30	PIPE SPIRAL GALV 30"x10'
GALV-32	PIPE SPIRAL GALV 32"x10'

Special order sizes available.

SPIRAL COUPLINGS

- Available in 24, 26 gauge



PART #	DESCRIPTION
GALVC-4	CONNECTOR SPIRAL GALV 4"
GALVC-6	CONNECTOR SPIRAL GALV 6"
GALVC-8	CONNECTOR SPIRAL GALV 8"
GALVC-10	CONNECTOR SPIRAL GALV 10"
GALVC-12	CONNECTOR SPIRAL GALV 12"
GALVC-14	CONNECTOR SPIRAL GALV 14"
GALVC-16	CONNECTOR SPIRAL GALV 16"
GALVC-18	CONNECTOR SPIRAL GALV 18"
GALVC-20	CONNECTOR SPIRAL GALV 20"
GALVC-22	CONNECTOR SPIRAL GALV 22"
GALVC-24	CONNECTOR SPIRAL GALV 24"

SPIRAL ELBOWS



- Available in 22, 24, 26 gauge

PART #	DESCRIPTION
GALV90-4	ELBOW SPIRAL GALV 4" 90 DEG
GALV90-6	ELBOW SPIRAL GALV 6" 90 DEG
GALV90-8	ELBOW SPIRAL GALV 8" 90 DEG
GALV90-10	ELBOW SPIRAL GALV 10" 90 DEG
GALV90-12	ELBOW SPIRAL GALV 12" 90 DEG
GALV90-14	ELBOW SPIRAL GALV 14" 90 DEG
GALV90-16	ELBOW SPIRAL GALV 16" 90 DEG
GALV90-18	ELBOW SPIRAL GALV 18" 90 DEG
GALV90-20	ELBOW SPIRAL GALV 20" 90 DEG
GALV90-22	ELBOW SPIRAL GALV 22" 90 DEG
GALV90-24	ELBOW SPIRAL GALV 24" 90 DEG

SPIRAL ANGLES



- Available in 22, 24, 26 gauge

PART #	DESCRIPTION
GALV45-4	ANGLE SPIRAL GALV 4"
GALV45-6	ANGLE SPIRAL GALV 6"
GALV45-8	ANGLE SPIRAL GALV 8"
GALV45-10	ANGLE SPIRAL GALV 10"
GALV45-12	ANGLE SPIRAL GALV 12"
GALV45-14	ANGLE SPIRAL GALV 14"
GALV45-16	ANGLE SPIRAL GALV 16"
GALV45-18	ANGLE SPIRAL GALV 18"
GALV45-20	ANGLE SPIRAL GALV 20"
GALV45-24	ANGLE SPIRAL GALV 24"

SPIRAL TEE



PART #	DESCRIPTION
GALVT-8X8X8	TEE SPIRAL GALV 8"x8"x8"
GALVT-10X10X10	TEE SPIRAL GALV 10"x10"x10"
GALVT-12X12X12	TEE SPIRAL GALV 12"x12"x12"
GALVT-14X14X14	TEE SPIRAL GALV 14"x14"x14"
GALVT-16X16X16	TEE SPIRAL GALV 16"x16"x16"
GALVT-18X18X18	TEE SPIRAL GALV 18"x18"x18"
GALVT-24X24X24	TEE SPIRAL GALV 24"x24"x24"

Specifications Subject To Change Without Notice. All Items May Not Be Stocked In All Locations.

SPIRAL TAPERED REDUCERS

- Available in 22, 24, 26 gauge



PART #	DESCRIPTION
GALVTP-6X4	REDUCER TAPERED SPIRAL GALV 6"x4"
GALVTP-6X5	REDUCER TAPERED SPIRAL GALV 6"x5"
GALVTP-8X6	REDUCER TAPERED SPIRAL GALV 8"x6"
GALVTP-10X6	REDUCER TAPERED SPIRAL GALV 10"x6"
GALVTP-10X8	REDUCER TAPERED SPIRAL GALV 10"x8"
GALVTP-12X10	REDUCER TAPERED SPIRAL GALV 12"x10"
GALVTP-12X6	REDUCER TAPERED SPIRAL GALV 12"x6"
GALVTP-12X8	REDUCER TAPERED SPIRAL GALV 12"x8"
GALVTP-14X10	REDUCER TAPERED SPIRAL GALV 14"x10"
GALVTP-14X12	REDUCER TAPERED SPIRAL GALV 14"x12"
GALVTP-14X8	REDUCER TAPERED SPIRAL GALV 14"x8"
GALVTP-16X10	REDUCER TAPERED SPIRAL GALV 16"x10"
GALVTP-16X12	REDUCER TAPERED SPIRAL GALV 16"x12"
GALVTP-16X14	REDUCER TAPERED SPIRAL GALV 16"x14"
GALVTP-18X10	REDUCER TAPERED SPIRAL GALV 18"x10"
GALVTP-18X12	REDUCER TAPERED SPIRAL GALV 18"x12"
GALVTP-18X14	REDUCER TAPERED SPIRAL GALV 18"x14"
GALVTP-18X16	REDUCER TAPERED SPIRAL GALV 18"x16"
GALVTP-20X10	REDUCER TAPERED SPIRAL GALV 20"x10"
GALVTP-20X12	REDUCER TAPERED SPIRAL GALV 20"x12"
GALVTP-20X14	REDUCER TAPERED SPIRAL GALV 20"x14"
GLVTP-20X16	REDUCER TAPERED SPIRAL GALV 20"x16"
GALVTP-20X18	REDUCER TAPERED SPIRAL GALV 20"x18"
GALVTP-22X18	REDUCER TAPERED SPIRAL GALV 22"x18"
GALVTP-22X20	REDUCER TAPERED SPIRAL GALV 22"x20"
GALVTP-24X18	REDUCER TAPERED SPIRAL GALV 24"x18"
GALVTP-24X20	REDUCER TAPERED SPIRAL GALV 24"x20"
GALVTP-24X22	REDUCER TAPERED SPIRAL GALV 24"x22"
GALVTP-26X20	REDUCER TAPERED SPIRAL GALV 26"x20"
GALVTP-26X24	REDUCER TAPERED SPIRAL GALV 26"x24"

PERIMETER SADDLE



PART #	DESCRIPTION
GALVTP-26X20	SADDLE SPIRAL GALV 4"x10" ON 7" TO 12" WITHOUT GASKET
GALVS-4X10-14	SADDLE SPIRAL GALV 4"x10" ON 14" AND UP WITHOUT GASKET
GALVS-4X10-6	SADDLE SPIRAL GALV 4"x10" ON 6" WITHOUT GASKET
GALVS-4X12-10	SADDLE SPIRAL GALV 4"x12" ON 7" TO 12" WITHOUT GASKET
GALVS-4X12-14	SADDLE SPIRAL GALV 4"x12" ON 14" AND UP WITHOUT GASKET
GALVS-4X12-6	SADDLE SPIRAL GALV 4"x12" ON 6" WITHOUT GASKET
GALVS-6X12-10	SADDLE SPIRAL GALV 6"x12" ON 9" TO 14" WITHOUT GASKET
GALVS-6X12-16	SADDLE SPIRAL GALV 6"x12" ON 16" AND UP WITHOUT GASKET
GALVS-6X12-8	SADDLE SPIRAL GALV 6"x12" ON 8" WITHOUT GASKET
GALVS-6X14-14	SADDLE SPIRAL GALV 6"x14" ON 14" WITH GASKET

SPIRAL SHOE TAP



- Available in 22, 24, 26 gauge

PART #	DESCRIPTION
GALVST-6	TAP SHOE SPIRAL GALV 6" FOR 6" THRU 10" PIPE
GALVSTA-6	TAP SHOE SPIRAL GALV 6" FOR 12" THRU 16" PIPE
GALVST-7	TAP SHOE SPIRAL GALV 7" FOR 7" THRU 10" PIPE
GALVST-8	TAP SHOE SPIRAL GALV 8" FOR 8" THRU 12" PIPE
GALVSTA-8	TAP SHOE SPIRAL GALV 8" FOR 14" THRU 18" PIPE
GALVST-10	TAP SHOE SPIRAL GALV 10" FOR 10" THRU 14" PIPE
GALVSTA-10	TAP SHOE SPIRAL GALV 10" FOR 16" THRU 20" PIPE
GALVST-12	TAP SHOE SPIRAL GALV 12" FOR 12" THRU 16" PIPE
GALVSTA-12	TAP SHOE SPIRAL GALV 12" FOR 18" THRU 22" PIPE
GALVST-14	TAP SHOE SPIRAL GALV 14" FOR 14" THRU 18" PIPE
GALVST-16	TAP SHOE SPIRAL GALV 16" FOR 16" THRU 20" PIPE

SPIRAL END CAP



PART #	DESCRIPTION
GALVEC-4	CAP END SPIRAL GALV 4"
GALVEC-6	CAP END SPIRAL GALV 6" (30)
GALVEC-8	CAP END SPIRAL GALV 8" (30)
GALVEC-10	CAP END SPIRAL GALV 10" (30)
GALVEC-12	CAP END SPIRAL GALV 12" (20)
GALVEC-14	CAP END SPIRAL GALV 14" (20)
GALVEC-16	CAP END SPIRAL GALV 16" (10)
GALVEC-18	CAP END SPIRAL GALV 18" (10)
GALVEC-20	CAP END SPIRAL GALV 20" (8)
GALVEC-24	CAP END SPIRAL GALV 24"
GALVEC-26	CAP END SPIRAL GALV 26"

LINDAB SAFE® SINGLE WALL CONNECTOR



PART #	DESCRIPTION
GALVCG-4	CONNECTOR GASKETED SPIRAL GALV 4" LINX (50)
GALVCG-6	CONNECTOR GASKETED SPIRAL GALV 6" LINX (60)
GALVCG-8	CONNECTOR GASKETED SPIRAL GALV 8" LINX (40)
GALVCG-10	CONNECTOR GASKETED SPIRAL GALV 10" LINX (15)
GALVCG-12	CONNECTOR GASKETED SPIRAL GALV 12" LINX (20)
GALVCG-14	CONNECTOR GASKETED SPIRAL GALV 14" LINX (15)
GALVCG-16	CONNECTOR GASKETED SPIRAL GALV 16" LINX (40)
GALVCG-18	CONNECTOR GASKETED SPIRAL GALV 18" LINX (35)
GALVCG-20	CONNECTOR GASKETED SPIRAL GALV 20" LINX (25)
GALVCG-22	CONNECTOR GASKETED SPIRAL GALV 22" LINX (18)
GALVCG-24	CONNECTOR GASKETED SPIRAL GALV 24" LINX (16)

LINDAB SAFE® SINGLE WALL END CAP



PART #	DESCRIPTION
GALVECG-6	END CAP GASKETED SPIRAL GALV 6" LINX (60)
GALVECG-8	END CAP GASKETED SPIRAL GALV 8" LINX (30)
GALVECG-10	END CAP GASKETED SPIRAL GALV 10" LINX (34)
GALVECG-12	END CAP GASKETED SPIRAL GALV 12" LINX (20)
GALVECG-14	END CAP GASKETED SPIRAL GALV 14" LINX (25)
GALVECG-16	END CAP GASKETED SPIRAL GALV 16" LINX (18)
GALVECG-18	END CAP GASKETED SPIRAL GALV 18" LINX (14)
GALVECG-20	END CAP GASKETED SPIRAL GALV 20" LINX (10)

LINDAB SAFE® SINGLE WALL ANGLES



PART #	DESCRIPTION
GALVSW45-4	ANGLE SPIRAL GALV 4" STITCH WELDED GASKETED LINX (30)
GALVSW45-6	ANGLE SPIRAL GALV 6" STITCH WELDED GASKETED LINX (30)
GALVSW45-8	ANGLE SPIRAL GALV 8" STITCH WELDED GASKETED LINX (15)
GALVSW45-10	ANGLE SPIRAL GALV 10" STITCH WELDED GASKETED LINX (25)
GALVSW45-12	ANGLE SPIRAL GALV 12" STITCH WELDED GASKETED LINX (20)
GALVGL45-14	ANGLE SPIRAL GALV 14" STITCH WELDED GASKETED LINX (10)
GALVGL45-16	ANGLE SPIRAL GALV 16" STITCH WELDED GASKETED LINX (6)
GALVGL45-18	ANGLE SPIRAL GALV 18" STITCH WELDED GASKETED LINX (5)
GALVGL45-20	ANGLE SPIRAL GALV 20" STITCH WELDED GASKETED LINX
GALVGL45-24	ANGLE SPIRAL GALV 24" STITCH WELDED GASKETED LINX

LINDAB SAFE® SINGLE WALL ELBOWS



PART #	DESCRIPTION
GALVSW90-4	ELBOW SPIRAL GALV 4" STITCH WELDED GASKETED LINX (18)
GALVSW90-6	ELBOW SPIRAL GALV 6" STITCH WELDED GASKETED LINX (20)
GALVSW90-8	ELBOW SPIRAL GALV 8" STITCH WELDED GASKETED LINX (32)
GALVSW90-10	ELBOW SPIRAL GALV 10" STITCH WELDED GASKETED LINX (16)
GALVSW90-12	ELBOW SPIRAL GALV 12" STITCH WELDED GASKETED LINX (10)
GALVGL90-14	ELBOW SPIRAL GALV 14" GORE LOCKED GASKETED LINX (5)
GALVGL90-16	ELBOW SPIRAL GALV 16" GORE LOCKED GASKETED LINX
GALVGL90-18	ELBOW SPIRAL GALV 18" GORE LOCKED GASKETED LINX
GALVGL90-20	ELBOW SPIRAL GALV 20" GORE LOCKED GASKETED LINX
GALVGL90-22	ELBOW SPIRAL GALV 22" GORE LOCKED GASKETED LINX
GALVGL90-24	ELBOW SPIRAL GALV 24" GORE LOCKED GASKETED LINX

LINDAB SAFE® SINGLE WALL TAPS



PART #	DESCRIPTION
GALVPTG-6	PRESSED TAP GASKETED SPIRAL 6" GALV FOR 7"/8" PIPE LINX (22)
GALVPTG-8	PRESSED TAP GASKETED SPIRAL 8" GALV FOR 9"/10" PIPE LINX (10)
GALVPTG-10	PRESSED TAP GASKETED SPIRAL 10" GALV FOR 12" PIPE LINX (14)
GALVPTG-12	PRESSED TAP GASKETED SPIRAL 12" GALV FOR 16" PIPE LINX (12)
GALVPTG-14	PRESSED TAP GASKETED SPIRAL 14" GALV FOR 16" PIPE LINX (12)

LINDAB SAFE® SINGLE WALL REDUCERS

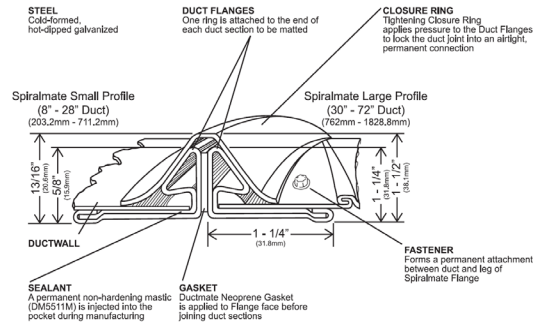
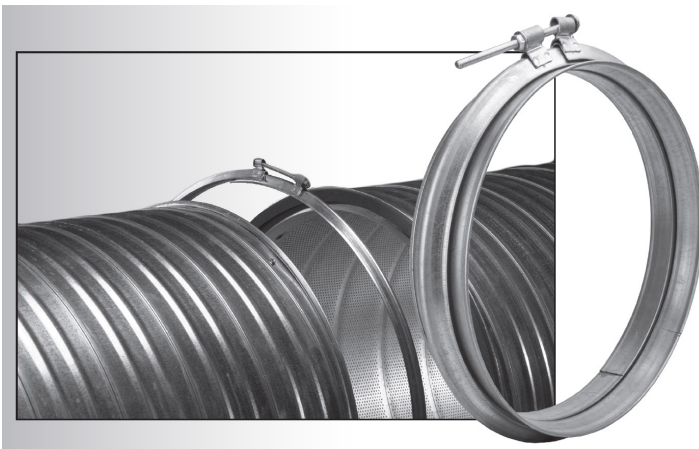


PART #	DESCRIPTION
GALVTPG-6X4	REDUCER TAPERED GASKETED SPIRAL GALV 6"x4" LINX (14)
GALVTPG-8X6	REDUCER TAPERED GASKETED SPIRAL GALV 8"x6" LINX (30)
GALVTPG-10X8	REDUCER TAPERED GASKETED SPIRAL GALV 10"x8" LINX (12)
GALVTPG-12X10	REDUCER TAPERED GASKETED SPIRAL GALV 12"x10" LINX (25)
GALVTPG-14X12	REDUCER TAPERED GASKETED SPIRAL GALV 14"x12" LINX (16)
GALVTPG-16X14	REDUCER TAPERED GASKETED SPIRAL GALV 16"x14" LINX (10)
GALVTPG-18X16	REDUCER TAPERED GASKETED SPIRAL GALV 18"x16" LINX (8)
GALVTPG-20X18	REDUCER TAPERED GASKETED SPIRAL GALV 20"x18" LINX (6)
GALVTPG-22X20	REDUCER TAPERED GASKETED SPIRAL GALV 22"x20" LINX (20)
GALVTPG-24X22	REDUCER TAPERED GASKETED SPIRAL GALV 24"x22" LINX (20)

SPIRALMATE® ROUND DUCT CONNECTION SYSTEM

Superior installation speed, versatility, airtight integrity and aesthetics.

- Considerably less overall cost than light gauge angle rings
- Eliminates sealant costs and the associated labor
- One piece seamless connector clamp eliminates unsightly screws between connections, is used as an architectural feature, plus it is safer and easier to install
- Strong, split ring design “adjusts” to fit duct and fitting diameter variations
- Available in two profiles sizes and virtually any alloy to fit duct ranging from 8” to over 100” diameters
- Replaces welding on gored fittings and allows elbows to be fully adjustable
- New Press-on Inner ring makes double wall duct systems a snap



SPIRALMATE

PART #	DESCRIPTION
SM8GA	RING SPIRALMATE GALV 8" DUCTMATE
SM10GA	RING SPIRALMATE GALV 10" DUCTMATE
SM12GA	RING SPIRALMATE GALV 12" DUCTMATE
SM14GA	RING SPIRALMATE GALV 14" DUCTMATE
SM16GA	RING SPIRALMATE GALV 16" DUCTMATE
SM18GA	RING SPIRALMATE GALV 18" DUCTMATE
SM20GA	RING SPIRALMATE GALV 20" DUCTMATE
SM22GA	RING SPIRALMATE GALV 22" DUCTMATE
SM24GA	RING SPIRALMATE GALV 24" DUCTMATE
SM26GA	RING SPIRALMATE GALV 26" DUCTMATE
SM28GA	RING SPIRALMATE GALV 28" DUCTMATE
SM30GA	RING SPIRALMATE GALV 30" DUCTMATE
SM32GA	RING SPIRALMATE GALV 32" DUCTMATE

PART #	DESCRIPTION
SM34GA	RING SPIRALMATE GALV 34" DUCTMATE
SM36GA	RING SPIRALMATE GALV 36" DUCTMATE
SM38GA	RING SPIRALMATE GALV 38" DUCTMATE
SM40GA	RING SPIRALMATE GALV 40" DUCTMATE
SM42GA	RING SPIRALMATE GALV 42" DUCTMATE
SM44GA	RING SPIRALMATE GALV 44" DUCTMATE
SM46GA	RING SPIRALMATE GALV 46" DUCTMATE
SM48GA	RING SPIRALMATE GALV 48" DUCTMATE

GREENSEAM PLUS PIPE

- Factory sealed snaplock pipe with transverse gasket
- Surpasses SMACNA class 3 leakage standards
- Meets requirements for SMANCA seal class A



PART #	DESCRIPTION
24SPBGP6GA26	PLUS PIPE GALV 6"x24" 26 ga GREENSEAM
24SPBGP8GA26	PLUS PIPE GALV 8"x24" 26 ga GREENSEAM
24SPBGP10GA26	PLUS PIPE GALV 10"x24" 26 ga GREENSEAM
24SPBGP12GA26	PLUS PIPE GALV 12"x24" 26 ga GREENSEAM
24SPBGP14GA26	PLUS PIPE GALV 14"x24" 26 ga GREENSEAM
60SPBGP6GA26	PLUS PIPE GALV 6"x60" 26 ga GREENSEAM
60SPBGP8GA26	PLUS PIPE GALV 8"x60" 26 ga GREENSEAM
60SPBGP10GA26	PLUS PIPE GALV 10"x60" 26 ga GREENSEAM
60SPBGP12GA26	PLUS PIPE GALV 12"x60" 26 ga GREENSEAM
60SPBGP14GA26	PLUS PIPE GALV 14"x60" 26 ga GREENSEAM

GREENSEAM ELBOWS

- Double crimped designed for greenseam plus pipe
- Adjustable gores and female end require external sealing



PART #	DESCRIPTION
AE690GA26	ELBOW ADJ GALV 6" 26 ga 90 DEG GREENSEAM
AE890GA26	ELBOW ADJ GALV 8" 26 ga 90 DEG GREENSEAM
AE1090GA26	ELBOW ADJ GALV 10" 26 ga 90 DEG GREENSEAM
AE1290GA26	ELBOW ADJ GALV 12" 26 ga 90 DEG GREENSEAM
AE1490GA26	ELBOW ADJ GALV 14" 26 ga 90 DEG GREENSEAM

GREENSEAM ANGLES

- Double crimped designed for greenseam plus pipe
- Adjustable gores and female end require external sealing



PART #	DESCRIPTION
AE645GA26	ANGLE ADJ GALV 6" 26 ga 45 DEG GREENSEAM
AE845GA26	ANGLE ADJ GALV 8" 26 ga 45 DEG GREENSEAM
AE1045GA26	ANGLE ADJ GALV 10" 26 ga 45 DEG GREENSEAM
AE1245GA26	ANGLE ADJ GALV 12" 26 ga 45 DEG GREENSEAM
AE1445GA26	ANGLE ADJ GALV 14" 26 ga 45 DEG GREENSEAM

GREENSEAM HIGH EFFICIENCY TAKE-OFF'S

- Surpasses SMACNA class 3 leakage standards
- Pre-sealed with epdm rubber and proprietary co-polymer
- Tapered design for optimal airflow

TAPERED HETO W/ 2" STAND-OFF & ROSSI HARDWARE

PART #	DESCRIPTION
HTS26GA26D38	TAKE OFF HIGH EFFICIENCY 6" w/ 2" STAND-OFF ROSSI HARDWARE
HTS26GA26D38	TAKE OFF HIGH EFFICIENCY 7" w/ 2" STAND-OFF ROSSI HARDWARE
HTS28GA26D38	TAKE OFF HIGH EFFICIENCY 8" w/ 2" STAND-OFF ROSSI HARDWARE
HTS29GA26D38	TAKE OFF HIGH EFFICIENCY 9" w/ 2" STAND-OFF ROSSI HARDWARE
HTS210GA26D38	TAKE OFF HIGH EFFICIENCY 10" w/ 2" STAND-OFF ROSSI HARDWARE
HTS212GA26D38	TAKE OFF HIGH EFFICIENCY 12" w/ 2" STAND-OFF ROSSI HARDWARE
HTS214GA26D38	TAKE OFF HIGH EFFICIENCY 14" w/ 2" STAND-OFF ROSSI HARDWARE
HTS216GA26D38	TAKE OFF HIGH EFFICIENCY 16" w/ 2" STAND-OFF ROSSI HARDWARE
HTS216GA24D38	TAKE OFF HIGH EFFICIENCY 16" w/ 2" STAND-OFF ROSSI HARDWARE

TAPERED HETO W/ LOW LEAKAGE DAMPER

PART #	DESCRIPTION
HT6GA26D	TAKE OFF HIGH EFFICIENCY 6" TO 5"x9" W/ DAMPER GREENSEAM
HT8GA26D	TAKE OFF HIGH EFFICIENCY 8" TO 6"x12" W/ DAMPER GREENSEAM
HT9GA26D	TAKE OFF HIGH EFFICIENCY 9" TO 7"x13" W/ DAMPER GREENSEAM
HT10GA26D	TAKE OFF HIGH EFFICIENCY 10" TO 8"x14" W/ DAMPER GREENSEAM
HT12GA26D	TAKE OFF HIGH EFFICIENCY 12" TO 10"x16" W/ DAMPER GREENSEAM
HT14GA26D	TAKE OFF HIGH EFFICIENCY 14" TO 12"x18" W/ DAMPER GREENSEAM
HT16GA24D	TAKE OFF HIGH EFFICIENCY 16" TO 14"x20" W/ DAMPER GREENSEAM

TAPERED HETO, NO DAMPER

PART #	DESCRIPTION
HT6GA26	TAKE OFF HIGH EFFICIENCY 6" TO 5"x9" GREENSEAM
HT7GA26	TAKE OFF HIGH EFFICIENCY 7" TO 5"x11" GREENSEAM
HT8GA26	TAKE OFF HIGH EFFICIENCY 8" TO 6"x12" GREENSEAM
HT10GA26	TAKE OFF HIGH EFFICIENCY 10" TO 8"x14" GREENSEAM
HT12GA26	TAKE OFF HIGH EFFICIENCY 12" TO 10"x16" GREENSEAM
HT14GA26	TAKE OFF HIGH EFFICIENCY 14" TO 12"x18" GREENSEAM
HT16GA24	TAKE OFF HIGH EFFICIENCY 16" TO 14"x20" GREENSEAM

PRESS ON CONICALS

- Surpasses SMACNA class 3 leakage standards
- Pre-sealed with EPDM rubber and proprietary co-polymer
- Available with stand-off and rossi hardware

PRESS ON CONICAL W/ LOW LEAKAGE DAMPER

PART #	DESCRIPTION
CNPR4GA26D	CONICAL PRESS ON 4"x6" 26 ga W/ DAMPER GREENSEAM
CNPR6GA26D	CONICAL PRESS ON 6"x8" 26 ga W/ DAMPER GREENSEAM
CNPR7GA26D	CONICAL PRESS ON 7"x9" 26 ga W/ DAMPER GREENSEAM
CNPR8GA26D	CONICAL PRESS ON 8"x10" 26 ga W/ DAMPER GREENSEAM
CNPR9GA26D	CONICAL PRESS ON 9"x11" 26 ga W/ DAMPER GREENSEAM
CNPR10GA26D	CONICAL PRESS ON 10"x12" 26 ga W/ DAMPER GREENSEAM
CNPR12GA26D	CONICAL PRESS ON 12"x14" 26 ga W/ DAMPER GREENSEAM
CNPR14GA26D	CONICAL PRESS ON 14"x16" 26 ga W/ DAMPER GREENSEAM
CNPR16GA26D	CONICAL PRESS ON 16"x18" 26 ga W/ DAMPER GREENSEAM

PRESS ON CONICAL, NO DAMPER

PART #	DESCRIPTION
CNPR4GA26	CONICAL PRESS ON 4"x6" 26 ga GREENSEAM
CNPR6GA26	CONICAL PRESS ON 6"x8" 26 ga GREENSEAM
CNPR8GA26	CONICAL PRESS ON 8"x10" 26 ga GREENSEAM
CNPR10GA26	CONICAL PRESS ON 10"x12" 26 ga GREENSEAM
CNPR12GA26	CONICAL PRESS ON 12"x14" 26 ga GREENSEAM
CNPR14GA26	CONICAL PRESS ON 14"x16" 26 ga GREENSEAM
CNPR16GA26	CONICAL PRESS ON 16"x18" 26 ga GREENSEAM

Rossi Hardware



Low Leakage



No Damper



Low Leakage



No Damper



HIGH EFFICIENCY TAKE-OFF'S

PRESS ON CONICALS

STARTING COLLARS

- Surpasses SMACNA class 3 leakage standards
- Pre-sealed with EPDM rubber and proprietary co-polymer
- Available with stand-off and rossi hardware

6" LONG PRESS ON COLLAR W/ LOW LEAKAGE DAMPER

PART #	DESCRIPTION
6POCR6GA26D	COLLAR PRESS ON 6" 26 ga W/ DAMPER GREENSEAM
6POCR8GA26D	COLLAR PRESS ON 8" 26 ga W/ DAMPER GREENSEAM
6POCR10GA26D	COLLAR PRESS ON 10" 26 ga W/ DAMPER GREENSEAM
6POCR12GA26D	COLLAR PRESS ON 12" 26 ga W/ DAMPER GREENSEAM
6POCR14GA26D	COLLAR PRESS ON 14" 26 ga W/ DAMPER GREENSEAM
6POCR16GA26D	COLLAR PRESS ON 16" 26 ga W/ DAMPER GREENSEAM

6" LONG PRESS ON COLLAR, NO DAMPER

PART #	DESCRIPTION
6POCR6GA26	COLLAR PRESS ON 6" 26 ga GREENSEAM
6POCR8GA26	COLLAR PRESS ON 8" 26 ga GREENSEAM
6POCR10GA26	COLLAR PRESS ON 10" 26 ga GREENSEAM
6POCR12GA26	COLLAR PRESS ON 12" 26 ga GREENSEAM
6POCR14GA26	COLLAR PRESS ON 14" 26 ga GREENSEAM

Low Leakage

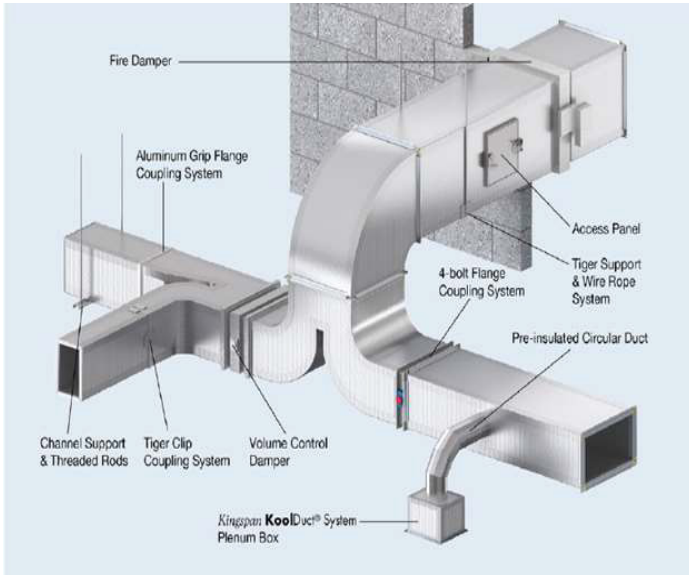


No Damper





Kingspan® KoolDuct®



The Kingspan KoolDuct® System is an innovative, lightweight, pre-insulated, rectangular HVAC ductwork system. It comprises premium performance Kingspan KoolDuct panels, fabrication methods, coupling systems, and a complete line of accessories to produce pre-insulated rectangular ductwork in sections up to 13 ft/ 3.93 m long.

2-3 week lead time required for duct design and quoting. Fabrication lead times will vary.

GALVANIZED STEEL SHEETS

PART #	DESCRIPTION
G9026-60X120	STEEL SHEET G 90 26 ga 60"x120"
G9026-48X120	STEEL SHEET G 90 26 ga 48"x120"
G9026-36X96	STEEL SHEET G 90 26 ga 36"x96"
G9024-60X120	STEEL SHEET G 90 24 ga 60"x120"
G9024-48X96	STEEL SHEET G 90 24 ga 48"x96"
G9024-48X120	STEEL SHEET G 90 24 ga 48"x120"
G9024-36X96	STEEL SHEET G 90 24 ga 36"x96"
G9022-60X120	STEEL SHEET G 90 22 ga 60"x120"
G9022-48X120	STEEL SHEET G 90 22 ga 48"x120"
G9022-36X96	STEEL SHEET G 90 22 ga 36"x96"
G9020-60X120	STEEL SHEET G 90 20 ga 60"x120"
G9020-48X120	STEEL SHEET G 90 20 ga 48"x120"
G9020-36X96	STEEL SHEET G 90 20 ga 36"x96"
G9018-48X120	STEEL SHEET G 90 18 ga 48"x120"
G9016-48X120	STEEL SHEET G 90 16 ga 48"x120"
30-36X96	STEEL SHEET G 40 30 ga 36"x96"
28-48X96	STEEL SHEET G 40 28 ga 48"x96"
28-48X120	STEEL SHEET G 40 28 ga 48"x120"
28-36X96	STEEL SHEET G 40 28 ga 36"x96"
26-60X120	STEEL SHEET G 60 26 ga 60"x120"
26-48X96	STEEL SHEET G 60 26 ga 48"x96"
26-48X120	STEEL SHEET G 60 26 ga 48"x120"
26-36X96	STEEL SHEET G 40 26 ga 36"x96"
26-36X72	STEEL SHEET G 40 26 ga 36"x72"
24-60X120	STEEL SHEET G 60 24 ga 60"x120"
24-48X96	STEEL SHEET G 60 24 ga 48"x96"
24-48X120	STEEL SHEET G 60 24 ga 48"x120"
24-36X96	STEEL SHEET G 60 24 ga 36"x96"
22-60X120	STEEL SHEET G 60 22 ga 60"x120"
22-48X96	STEEL SHEET G 60 22 ga 48"x96"
22-48X120	STEEL SHEET G 60 22 ga 48"x120"
20-60X120	STEEL SHEET G 60 20 ga 60"x120"
20-48X120	STEEL SHEET G 60 20 ga 48"x120"
18-60X120	STEEL SHEET G 60 18 ga 60"x120"
18-48X120	STEEL SHEET G 60 18 ga 48"x120"
16-48X120	STEEL SHEET G 60 16 ga 48"x120"

Specifications Subject To Change Without Notice. All Items May Not Be Stocked In All Locations.

COPPER SHEETS

PART #	DESCRIPTION
160Z-36X96	COPPER SHEET PROTECTED 16 oz 36"x96"

STAINLESS STEEL SHEETS

PART #	DESCRIPTION
24SS-36X96	STEEL STAINLESS SHEET PROTECTED 24 ga 36"x96" 304

ALUMINUM SHEETS

PART #	DESCRIPTION
24AL-36X96	ALUMINUM SHEET PROTECTED 24 ga 36"x96"
22AL-36X96	ALUMINUM SHEET PROTECTED 22 ga 36"x96"

Please call if your size requirements aren't listed above for pricing and availability.

COIL STEEL

PART #	DESCRIPTION
G9026-60COIL	COIL STEEL G 90 26 ga 60"
G9026-48COIL	COIL STEEL G 90 26 ga 48"
G9026-36COIL	COIL STEEL G 90 26 ga 36"
G9024-60COIL	COIL STEEL G 90 24 ga 60"
G9024-48COIL	COIL STEEL G 90 24 ga 48"
G9024-36COIL	COIL STEEL G 90 24 ga 36"
G6026-60COIL	COIL STEEL G 60 26 ga 60"
G6026-48COIL	COIL STEEL G 60 26 ga 48"
G6026-36COIL	COIL STEEL G 60 26 ga 36"
G6024-60COIL	COIL STEEL G 60 24 ga 60"
G6024-48COIL	COIL STEEL G 60 24 ga 48"
G6024-36COIL	COIL STEEL G 60 24 ga 36"

10,000# Maximum coils, 20" ID | All coil steel sales are direct ship only.

Minimum weight required

Can be combined with other orders

Extra stop off charge may apply

Gauge	Lbs Per Sq Ft	Range
10	5.781	.147/.129
12	4.531	.117/.099
14	3.281	.087/.071
16	2.656	.070/.058
18	2.156	.057/.047
20	1.656	.044/.036
22	1.406	.038/.030
24	1.156	.032/.024
26	.906	.025/.019
28	.781	.022/.016
30	.656	.019/.013

Specifications Subject To Change Without Notice. All Items May Not Be Stocked In All Locations.

STRUT



PART #	DESCRIPTION
PS200EH	CHANNEL PREGALVANIZED 12 ga 10' 1-1/2" STRUT
PS200EH-G	CHANNEL GREEN 12 ga 10'x1-1/2" ELONGATED HOLES STRUT
PS200EH-20	CHANNEL PREGALVANIZED 12 ga 20' 1-1/2" STRUT
PS500EH	CHANNEL PREGALVANIZED 14 ga 10' 7/8" STRUT
PS500EH-20	CHANNEL PREGALVANIZED 14 ga 20' 7/8" STRUT
PS619	WASHER SQUARE 3/8" POWER STRUT
PSRS3/8	NUT 3/8" REGULAR SPRING POWER STRUT
PSSS3/8	NUT 3/8" SHORT SPRING POWER STRUT
PS2008	2 HOLE CORNER ANGLE 1-1/8"x1" POWER STRUT 90 DEG
PS2017	2 HOLE CORNER ANGLE 3/4"x1-1/4" POWER STRUT 90 DEG
PS2018	3 HOLE CORNER ANGLE POWER STRUT 90 DEG
PS603	BRACKET 2 HOLE 90 POWER STRUT
PS004T	CUSH A CLAMP ASSEMBLY 1/4" POWER STRUT
PS006T	CUSH A CLAMP ASSEMBLY 3/8" POWER STRUT
PS008T	CUSH A CLAMP ASSEMBLY 1/2" POWER STRUT
PS010T	CUSH A CLAMP ASSEMBLY 5/8" POWER STRUT
PS012T	CUSH A CLAMP ASSEMBLY 3/4" POWER STRUT
PS014T	CUSH A CLAMP ASSEMBLY 7/8" POWER STRUT
PS018T	CUSH A CLAMP ASSEMBLY 1-1/8" POWER STRUT
PS022T	CUSH A CLAMP ASSEMBLY 1-3/8" POWER STRUT
PS026T	CUSH A CLAMP ASSEMBLY 1-5/8" POWER STRUT
PS034T	CUSH A CLAMP ASSEMBLY 2-1/8" POWER STRUT
PS042T	CUSH A CLAMP ASSEMBLY 2-5/8" POWER STRUT
PS050N56	CUSH A CLAMP ASSEMBLY 3-1/8" POWER STRUT
PS1300-1/2	CLAMP UNIVERSAL PIPE 1/2" POWER STRUT
PS1300-3/4	CLAMP UNIVERSAL PIPE 3/4" POWER STRUT
PS1300-1	CLAMP UNIVERSAL PIPE 1" POWER STRUT
PS1300-1-1/4	CLAMP UNIVERSAL PIPE 1-1/4" POWER STRUT
PS1300-1-1/2	CLAMP UNIVERSAL PIPE 1-1/2" POWER STRUT
PS1300-2	CLAMP UNIVERSAL PIPE 2" POWER STRUT

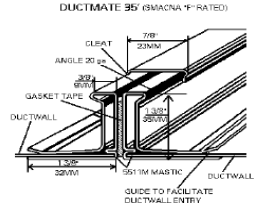
THREADED ROD



PART #	DESCRIPTION
TROD	THREADED ROD 3/8"x10'
PS92	CLAMP BEAM 3/8" POWER STRUT
PS135	COUPLING ROD NUT 3/8" POWER STRUT

RECTANGULAR DUCT CONNECTION SYSTEM DUCTMATE® '25'

SMACNA 'F' RATED

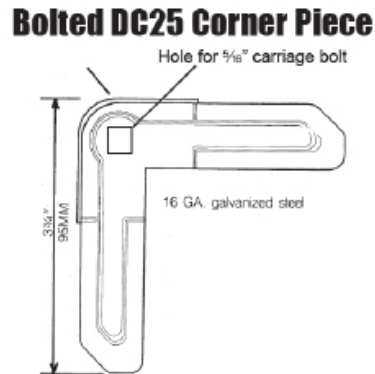
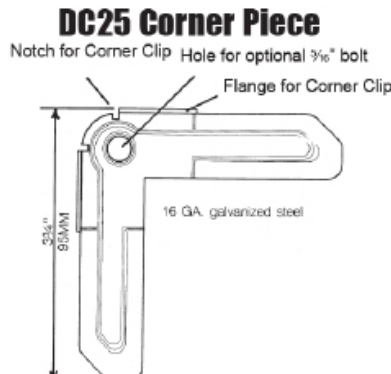
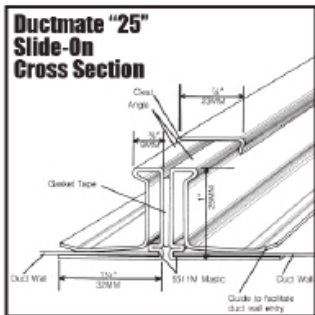


PART #	DESCRIPTION	CTN/QTY
DM25	#25 ANGLE FLANGE GALV 24 ga 20' DUCTMATE	100
DM25-CORNER	DM25 SLIDE-ON CORNERS W/ CLIPS DUCTMATE	100

DUCTMATE® 25 SYSTEM

- GA Only
- SMACNA F Class
- 24 GA (accepts 20-26 duct sheet)
- 2 options for corners
 - » DJRGA – 16 gauge, corner clip included with order
 - » DBJRGA – 16 gauge, nut and bolt included
- Cleat
 - » D6C – 6" Metal cleat
 - » D10C – 10' Metal cleat
 - » 6" PVC – 6" Solid PVC cleat
 - » 10' PVC – 10' Solid PVC cleat
- Gasket
 - » DM440 – 440 3/16 x 5/8
 - » Neoprene – NEO 5/16 x 3/4
- Universal Press-on Bullnosing
 - » To encapsulate leading edge insulated duct

DUCTMATE '25' COMPONENTS



RECTANGULAR DUCT CONNECTION SYSTEM

DUCTMATE® '35'

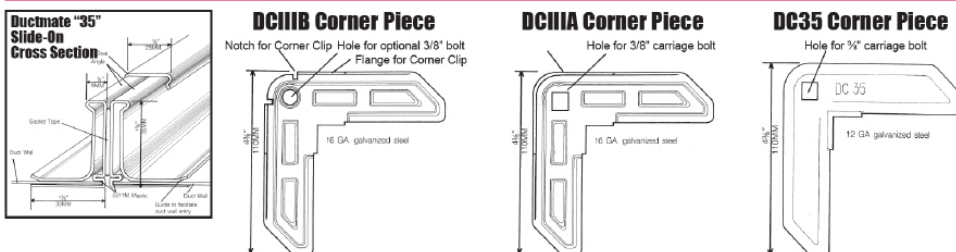
SMACNA 'J' RATED

PART #	DESCRIPTION	CTN/QTY
DM35	#35 ANGLE FLANGE GALV 20 ga 20' 1-3/8"x1-3/8" DUCTMATE	50
DMALUM-35	#35 ANGLE FLANGE ALUMINUM 20' DUCTMATE	1
SSDM-35	#35 ANGLE FLANGE 304 STAINLESS STEEL 20' DUCTMATE	1
DM35-CORNER	D3BGA (DCIIB) SLIDE-ON CORNERS W/CLIPS DUCTMATE	250
DC3A	CORNER GALV 16 ga REQUIRES NUT & BOLT DUCTMATE D3AGA	250
DC35	CORNERS W/NUT AND BOLT, SQUARE HOLE, GALVANIZED STEEL	200
ALUM-CORNER	DC35AL - DM35 ALUMINUM CORNER	1
SSDM35-CORNER	CORNER 304 STAINLESS STEEL DUCTMATE	1

DUCTMATE® 35 SYSTEM

- SMACNA J Class
- 20 GA (accepts 16-26 ga)
- Available in 8 alloys
- 3 options for corners
 - » D3A – 16 gauge, requires 3/8" carriage ball (not included)
 - » D3B – 16 gauge, corner clip included with order
 - » DC35 – 12 gauge, requires 3/8" carriage ball (not included)
 - » BDC35 – 12 gauge, requires 3/8" carriage ball included
- Cleat
 - » D6C – 6" Metal cleat
 - » D10C – 10' Metal cleat
 - » 6" PVC – 6" Solid PVC cleat
 - » 10' PVC – 10' Solid PVC cleat
 - » DV6C – VersaCleat
- Gasket
 - » DM440 – 440 3/16 x 5/8
 - » Neoprene – NEO 5/16 x 3/4
- Universal Press-on Bullnosing
 - » To encapsulate insulated duct

DUCTMATE '35' COMPONENTS



Specifications Subject To Change Without Notice. All Items May Not Be Stocked In All Locations.

RECTANGULAR DUCT CONNECTION SYSTEM DUCTMATE® '45'

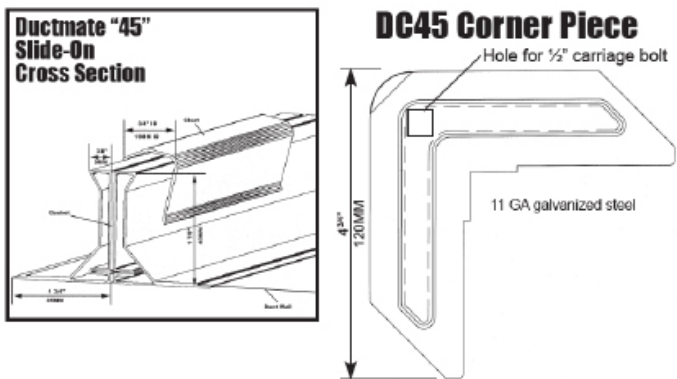
SMACNA 'K' RATED

PART #	DESCRIPTION	CTN/QTY
DM45	ANGLE FLANGE GALV 20 ga 19' 1-3/4"x1-3/4" DUCTMATE (53)	
DM45-CORNER	CORNER GALV WITH CLIP DUCTMATE	

DUCTMATE® 45 SYSTEM

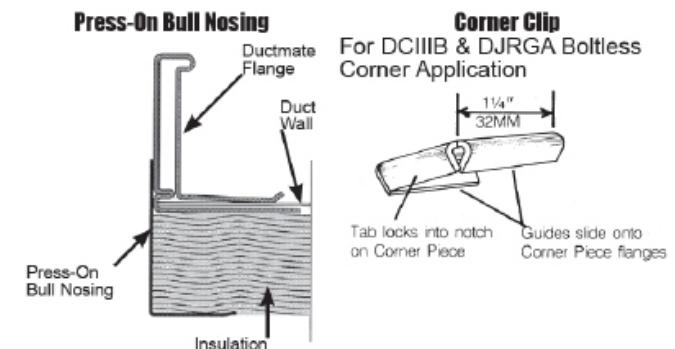
- Only SMACNA K Class
- 18 GA (accepts 10-22 ga) 10 - 18 economical
- Available in specialty alloys
- Available in 500' bundles
- 1 option for corners
 - » DC45 – 11 gauge, requires 1/2" ball (not included)
- Cleat
 - » D45CGA – bolt-on cleat
 - » 6" FPVC – 6" Solid PVC cleat
 - » DV6C – VersaCleat
- Gasket
 - » DM440 – 440 3/16 x 5/8
 - » Neoprene – NEO 5/16 x 3/4
- Universal Press-on Bullnosing
 - » To encapsulate insulated duct

DUCTMATE '45' COMPONENTS



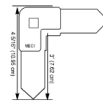
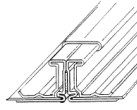
ADDITIONAL COMPONENTS

Corner Bolt Sizes (with nuts)		
Ductmate	25	5/16"
	35	3/8"
	45	1/2"



WDCI

SMACNA 'J' RATED



PART #	DESCRIPTION	CTN/QTY
WJ15GA	J FLANGE GALV 20 ga 20' DUCTMATE	75
WJCGA	CORNER J FLANGE DUCTMATE	200
W6CGA	CLEAT GALV 22 ga DUCTMATE USED WITH H and J FLANGE WDCI	500

SMACNA 'H' RATED

PART #	DESCRIPTION	CTN/QTY
WH15GA	H FLANGE GALV 24 ga 20' DUCTMATE	50
WHCGA	CORNER H FLANGE WITH NUT & BOLT DUCTMATE	250

TDC CORNERS

PART #	DESCRIPTION	CTN/QTY
CMCGA	CORNER GALV 16 ga CORNERMATIC DUCTMATE	250
CMCGASTPK	CORNER GALV 16 ga CORNERMATIC TDC DUCTMATE STRAPPACK	400
TDC-CORNER	MANUAL CORNER GALV 16 ga DUCTMATE	250

TDF CORNERS

PART #	DESCRIPTION	CTN/QTY
TDF-CORNER	MANUAL CORNER GALV 16 ga FGA DUCTMATE	250
CMFGA-CORNER	CORNER 16 ga CORNERMATIC TDF DUCTMATE	250
CMFGASTPK	CORNER GALV 16 ga CORNERMATIC TDF DUCTMATE STRAPPACK	400

CLEATS

PART #	DESCRIPTION	CTN/QTY
DM-6-METAL	CLEAT GALV 20 ga 6" DUCTMATE USED WITH DM25 & DM35	500
TDF-CLEAT	CLEAT 22 ga DUCTMATE USED WITH TDF FLANGE	500
DM-6-PVC	CLEAT PVC 6" DUCTMATE	500
DV6CGA	CLEAT GALV VERSA DUCTMATE	250
SSDM35-CLEAT	CLEAT 304 STAINLESS STEEL DUCTMATE	500

DUCTMATE® GASKET TAPES



PART #	DESCRIPTION	CTN/QTY
DM440-GASKET	GASKET BUTYL 3/16"x5/8"x25' DUCTMATE	20
DM-NEO-GASKET	GASKET NEOPRENE 5/16"x3/4"x50' DUCTMATE	15
STICKYTAPE	GASKET BUTYL TAPE 3/16"x5/8"x25' DUCTMATE	20

MCGILL GASKET TAPE

PART #	DESCRIPTION	CTN/QTY
UNIBUTYL	GASKET TAPE POLY BUTYL 25' MCGILL AIR SEAL	20

DUCTMATE® CONNECTION PRODUCTS

PART #	DESCRIPTION	CTN/QTY
BA-3	BRACKET GALV ROUND DUCT STRAP DUCTMATE	200
CBGA	BOLT CARRIAGE 3/8"x1" & NUT HEX 3/8" DUCTMATE	125
DM-CLIP	CLIP CORNER DUCTMATE (500)	

TRAPEZE DUCT HANGERS & ACCESSORIES

PART #	DESCRIPTION	CTN/QTY
TRAPEZE	HANGER DUCT TRAPEZE 1-1/2"x20' DUCTMATE	25
TRAPEZE-WASHER	WASHER TRAPEZE HANGER DUCT DUCTMATE	125

TOOLS

PART #	DESCRIPTION
CLEATER1	TOOL METAL CLEAT ATTACHMENT DUCTMATE
CLEATER2	TOOL METAL CLEAT ATTACHMENT DUCTMATE
VERSA TOOL	TOOL VERSA CLEAT ATTACHMENT DUCTMATE
SNAPPER1	TOOL TDC/TDF CLEAT ATTACHMENT DUCTMATE
AG2000	CORNER ALIGNMENT TOOL

CLUTCHER - MECHANICAL HANGING SYSTEM

- Used to hang ventilation and hvac ducting equipment
- Quicker to use than threaded rod or trapeze
- Installs in seconds
- Great for hanging spiral pipe



PART #	DESCRIPTION	CTN/QTY
CL10	#10 CLUTCHER, USE WITH WR10 WIRE ROPE DUCTMATE	10/500
CL20	#20 CLUTCHER, USE WITH WR20 WIRE ROPE DUCTMATE	10/400
WR10500	#10 WIRE ROPE, 500' SPOOL DUCTMATE	1
WR20500	#20 WIRE ROPE, 500' SPOOL DUCTMATE	1
HWRC	CABLE CUTTER FOR WIRE ROPE DUCTMATE	1

CADDY-ERICO FASTENERS

- Hammer-on-strap hanger clips



PART #	DESCRIPTION	CTN/QTY
MSS24	CLIP STRAP HANGER, PARALLEL FOR 1/8" - 1/4" BEAMS ERICO	50
MSS58	CLIP STRAP HANGER, PARALLEL FOR 5/16" - 1/2" BEAMS ERIC	50
MSR24	CLIP STRAP HANGER, RIGHT ANGLE FOR 1/8" - 1/4" BEAMS ERICO	50
MSR58	CLIP STRAP HANGER, RIGHT ANGLE FOR 5/16" - 1/2" BEAMS ERICO	50

HANGER STRAP

PART #	DESCRIPTION	CTN/QTY
1STGA18	STRAPPING 18 ga 1"x10' DUCTMATE	10
1BSTGA18	STRAPPING 18 ga 1"x100' BOXED DUCTMATE	1

DURODYNE® DYNA-TITE®

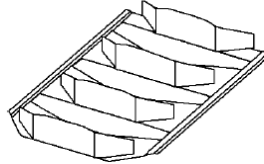
PART #	DESCRIPTION	CTN/QTY
CL12-WC3	DYNA-TITE CABLE LOCK	10
KV12-WC3	KV BRACKET W/ CAPTIVE CL12-WC3 CABLE LOCK	10
WC3-CL12	WIRE ROPE FOR USE WITH CL12-WC3 CABLE LOCK	500' ROLL
LC05WC3	LOOPED WCS-CL12 CABLE ASSEMBLY 5'	1
LC10WC3	LOOPED WCS-CL12 CABLE ASSEMBLY 10'	1
LC15WC3	LOOPED WCS-CL12 CABLE ASSEMBLY 15'	1
LC25WC3	LOOPED WCS-CL12 CABLE ASSEMBLY 25'	1

TURNING VANE

PART #	DESCRIPTION	BDL/QTY
2VGA26	VANE TURNING 2"X10' GALV 26 GA DUCTMATE	10
4VGA24	VANE TURNING 4"X10' GALV 24 GA DUCTMATE	5
2SWVGA24	VANE TURNING 2"X10' GALV 24 GA SINGLE WALL DUCTMATE	10

PUSH TYPE PRORail®

- Self locking rail system
- No need for fasteners



PART #	DESCRIPTION	BDL/QTY
2PRGA24	PRORAIL 2"x10' GALV 24 ga DUCTMATE	10
4PRGA22	PRORAIL 4"x10' GALV 22 ga DUCTMATE	10

ECONORail™

- Can be used with a variety of double wall vane
- No need for fasteners



PART #	DESCRIPTION	BDL/QTY
2ERGA24	ECONORAIL 2" 24 ga DUCTMATE	10

MONORail™

- For single wall or double wall

PART #	DESCRIPTION	CTN/QTY
2MRGA24	MONORAIL 2"x200' GALV 24 ga DUCTMATE	200"
4MRGA24	MONORAIL 4"X100' GALV 24 ga DUCTMATE	100



DURO DYNE VANE RAIL

- Self locking rail system
- No need for fasteners

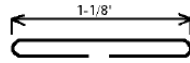
PART #	DESCRIPTION	CTN/QTY
QV-14	VANE TURNING 126' DURO DYNE	
QV-14-1	VANE TURNING 6' DURO DYNE	

FLAT "S" CLEAT



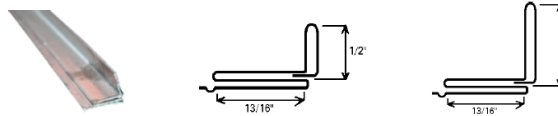
PART #	DESCRIPTION	BDL/QTY
DFS-120	STRIP FLAT S 120" 26 ga #516 HEATING & COOLING	10
DFS-60-26	STRIP FLAT S 60" 26 ga HEATING & COOLING	50

FLAT DRIVE CLEAT



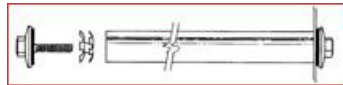
PART #	DESCRIPTION	BDL/QTY
DDC120	DRIVE CLEAT 120" 26 ga #517 HEATING & COOLING	10
DDC60-26	CLEAT DRIVE 60" 26 ga HEATING & COOLING	50

STANDING "S" CLEAT



PART #	DESCRIPTION	CTN/QTY
SS-26	DRIVE STANDING S 26 ga 120-1/8" DUCTMATE	10
SS-24	DRIVE STANDING S 24 ga 120-1/8" DUCTMATE	10
SS-22	DRIVE STANDING S 22 ga 120-1/8" DUCTMATE	10

EASYROD™

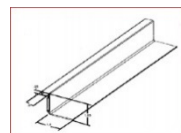


PART #	DESCRIPTION	CTN/QTY
EZ50	BOLT, WASHER, INSERT FOR 1/2" EMT CONDUIT DUCTMATE	250
EZ75	BOLT, WASHER, INSERT FOR 3/4" EMT CONDUIT DUCTMATE	250

CONDUIT

PART #	DESCRIPTION	CTN/QTY
C-1/2	CONDUIT THIN WALL 1/2"x10'	50
C-3/4	CONDUIT THIN WALL 3/4"x10'	50

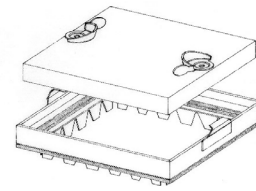
Z-BAR STIFFENER



PART #	DESCRIPTION	CTN/QTY
DLST15GA	DUCT STIFFENER DUCTMATE	75

ACCESS DOORS - TAB IN STYLE

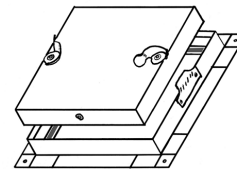
- 1" Thick double cam lock
- Insulated doors



PART #	DESCRIPTION
AD6	DOOR ACCESS INSULATED 6"x6" LLOYD
AD8	DOOR ACCESS INSULATED 8"x8" LLOYD
AD10	DOOR ACCESS INSULATED 10"x10" LLOYD
AD12	DOOR ACCESS INSULATED 12"x12" LLOYD
AD14	DOOR ACCESS INSULATED 14"x14" LLOYD
AD16	DOOR ACCESS INSULATED 16"x16" LLOYD
AD18	DOOR ACCESS INSULATED 18"x18" LLOYD
AD20	DOOR ACCESS INSULATED 20"x20" LLOYD
AD22	DOOR ACCESS INSULATED 22"x22" LLOYD
AD24	DOOR ACCESS INSULATED 24"x24" LLOYD
8385	DOOR ACCESS INSULATED 6"x6" DURO DYNE
8386	DOOR ACCESS INSULATED 8"x8" DURO DYNE
8387	DOOR ACCESS INSULATED 10"x10" DURO DYNE
8175	DOOR ACCESS INSULATED 24"x24" DURO DYNE

ACCESS DOORS - PRESS-ON STYLE

- 1" Thick double cam lock
- Insulated doors



PART #	DESCRIPTION
FDPC6GA	DOOR ACCESS PRESS ON FRAMED 6"x6" DUCTMATE
FDPC8GA	DOOR ACCESS PRESS ON FRAMED 8"x8" DUCTMATE
FDPC10GA	DOOR ACCESS PRESS ON FRAMED 10"x10" DUCTMATE
FDPC12GA	DOOR ACCESS PRESS ON FRAMED 12"x12" DUCTMATE
FDPC14GA	DOOR ACCESS PRESS ON FRAMED 14"x14" DUCTMATE
FDPC16GA	DOOR ACCESS PRESS ON FRAMED 16"x16" DUCTMATE
FDPC18GA	DOOR ACCESS PRESS ON FRAMED 18"x18" DUCTMATE

SANDWICH® DOOR

- Round duct - insulated



PART #	DESCRIPTION
DRI12811GA	DOOR ACCESS ROUND INSULATED 12"x8" DOOR FITS 10"-11" DUCT
DRI12814GA	DOOR ACCESS ROUND INSULATED 12"x8" DOOR FITS 12"-14" DUCT
DRI12816GA	DOOR ACCESS ROUND INSULATED 12"x8" DOOR FITS 15"-16" DUCT
DRI161220GA	DOOR ACCESS ROUND INSULATED 16"x12" DOOR FITS 19"-20" DUCT
DRI161228GA	DOOR ACCESS ROUND INSULATED 16"x12" DOOR FITS 25"-28" DUCT
DRI241832GA	DOOR ACCESS ROUND INSULATED 24"x18" DOOR FITS 29"-32" DUCT
DRI8411GA	DOOR ACCESS ROUND INSULATED 8"x4" DOOR FITS 10"-11" DOOR
DRI8414GA	DOOR ACCESS ROUND INSULATED 8"x4" DOOR FITS 12"-14" DUCT
DRI846GA	DOOR ACCESS ROUND INSULATED 8"x4" DOOR FITS 5"-6" DUCT
DRI849GA	DOOR ACCESS ROUND INSULATED 8"x4" DOOR FITS 7"-9" DUCT

SANDWICH® DOOR

- Round duct - uninsulated



PART #	DESCRIPTION
DRU12811GA	DOOR ACCESS ROUND UNINSULATED 12"x8" DOOR FITS 10"-11" DUCT
DRU12816GA	DOOR ACCESS ROUND UNINSULATED 12"x8" DOOR FITS 15"-16" DUCT
DRU161228GA	DOOR ACCESS ROUND UNINSULATED 16"x12" DOOR FITS 25"-28" DUCT
DRU8411GA	DOOR ACCESS ROUND UNINSULATED 8"x4" DOOR FITS 10"-11" DOOR
DRU8414GA	DOOR ACCESS ROUND UNINSULATED 8"x4" DOOR FITS 12"-14" DUCT
DRU846GA	DOOR ACCESS ROUND UNINSULATED 8"x4" DOOR FITS 5"-6" DUCT
DRU849GA	DOOR ACCESS ROUND UNINSULATED 8"x4" DOOR FITS 7"-9" DUCT

Also available for rectangular duct, observation, clean-out, grease duct and high temp.



Visit www.ductmate.com for more information

DUCTMATE® DUCT SEALANTS

- High velocity, excellent adhesion to metal
- Indoor or outdoor use
- Low brush drag and spreadability reduces labor costs



PROseal® WATER BASED, UL LISTED NON-FLAMMABLE

PART #	DESCRIPTION	PKG/QTY
PROSEAL-QUART	SEALANT DUCT WATER BASED 1 qt TUBE DUCTMATE	12
PROSEAL-GAL	SEALANT DUCT WATER BASED 1 gal DUCTMATE	4
PROSEAL-TUBE	SEALANT DUCT WATER BASED 10-1/2 oz. DUCTMATE	25

EZseal™ WATER BASED, FIBER REINFORCED, UL CLASSIFIED NON-FLAMMABLE

PART #	DESCRIPTION	PKG/QTY
EZSEAL-GAL	DUCT SEALER WATER BASED LEED CERTIFIED 1 gal DUCTMATE	4
EZSEAL-TUBE	DUCT SEALER WATER BASED LEED CERTIFIED DUCTMATE	25

POLYMER-BASED PUMPABLE SEALANT

- Airtight, watertight, flexible seal for metal to metal concealed joints
- For precise application to duct joints at the roll forming line



PART #	DESCRIPTION	COLOR	SIZE
5511M5	SEALANT DUCT 5 gal DUCTMATE	WHITE	5 GALLON

HARDCAST® DUCT SEALANTS

- Indoor or outdoor use
- Excellent adhesion to metal, flexible and rigid fiberglass ductwork

DUCT-SEAL™ INDUSTRIAL GRADE FIBER REINFORCED WATER-BASED DUCT SEALANT

PART #	DESCRIPTION	PKG/QTY
DS321-GAL	SEALANT INDOOR & OUTDOOR 1 gal DUCT SEAL HARDCAST	4
DS321-TUBE	SEALANT INDOOR & OUTDOOR 11 oz DUCT SEAL HARDCAST	25

SURE-GRIP™ SOLVENT-BASED DUCT SEALANT

PART #	DESCRIPTION	PKG/QTY
SG404-GAL	SEALANT DUCT 1 gal SOLVENT BASED SURE GRIP HARDCAST	4
SG404-TUBE	SEALANT DUCT 11 oz SOLVENT BASED SURE GRIP HARDCAST	25
SG404-5	SEALANT DUCT 5 gal SOLVENT BASED HARDCAST	1

FLEX-GRIP™ WATER-BASED DUCT SEALANT

PART #	DESCRIPTION	PKG/QTY
FG550-GAL	SEALANT INDOOR 1 gal FLEX GRIP HARDCAST	4
FG550-TUBE	SEALANT DUCT INDOOR AND OUTDOOR 11 oz FLEX GRIP HARDCAST	25

IRON-GRIP® PREMIUM WATER BASED DUCT SEALANT

PART #	DESCRIPTION	PKG/QTY
IG601-GAL	SEALANT DUCT INDOOR OUTDOOR 1 gal IRON GRIP HARDCAST	4
IG601-TUBE	SEALANT INDOOR DUCT 11 oz IRON GRIP HARDCAST	25

VERSA-GRIP™ FIBER REINFORCED WATER BASED DUCT SEALANT

PART #	DESCRIPTION	PKG/QTY
VG102-GAL	SEALANT DUCT 1 gal INDOOR & OUTDOOR VERSA GRIP HARDCAST	4



ADHESIVES

TRAVEL-TACK

- Installation adhesive in a portable spray canister

PART #	DESCRIPTION	COLOR
GG658-16	ADHESIVE INDOOR 12 oz GLASS GRIP TRAVEL TACK	GREEN
GG658-187	ADHESIVE INDOOR 187 lb GLASS GRIP TRAVEL TACK	GREEN
GG658-40	ADHESIVE INDOOR 40 lb GLASS GRIP TRAVEL TACK	GREEN



COIL-TACK™

- Low-tack, high yield water based insulation adhesive

PART #	DESCRIPTION	COLOR
GG901-5	ADHESIVE INDOOR 5 gal COIL-TACK	BLACK
GG901-50-B	ADHESIVE INDOOR 50 gal COIL-TACK	BLACK
GG901-50-W	ADHESIVE INDOOR 50 gal COIL-TACK	WHITE



ROTO-TACK™

- Mid-tack, high yield water based insulation adhesive

PART #	DESCRIPTION	COLOR
GG925-5	ADHESIVE INDOOR 5 gal WATER BASED ROTO-TACK	WHITE (WET), CLEAR (DRY)
GG925-50	ADHESIVE INDOOR 50 gal WATER BASED ROTO-TACK	WHITE (WET), CLEAR (DRY)

DURO DYNE WEB ADHESIVE

- 4.5" Wide spray and Fast tacking and bonding

PART #	DESCRIPTION
ASA	ADHESIVE INSULATION 12 oz DURO DYNE (DTWA) (12)



POLYKEN 44 PREMIUM SPRAY ADHESIVE

- Fast skin, fast grab, and low soak-in
- Good UV, moisture, and oxidation resistance

PART #	DESCRIPTION
PK-44	ADHESIVE SPRAY 20 oz POLYKEN (12)



NU-CALGON INSULATION ADHESIVE

- Wide spray pattern and Fast tack, quick adhesion

PART #	DESCRIPTION
4369-75	ADHESIVE INSULATION 12 oz SPRAY-N-BOND NU-CALGON





DURO DYNE WIT DUCT LINER ADHESIVE

- Water based, non-flamable
- Fast tack



PART #	DESCRIPTION	COLOR
WIT-1	ADHESIVE INSULATION 1 gal DURO DYNE (4)	WHITE
WIT-5	ADHESIVE INSULATION 5 gal DURO DYNE	WHITE

DURO DYNE PORTABLE ADHESIVE CANISTER

- Dual purpose liner adhesive and edge coating
- Waterproof, flexible, quick tack



PART #	DESCRIPTION
PAB40	ADHESIVE INSULATION 40 lbs BLACK DURO DYNE BLACK
PAC12H	12FT CANISTER HOSE
PAC25H	25FT CANISTER HOSE
PAG	CANISTER GUN WITH SOLVENT BASE TIP



DUCTMATE® QUICK-STICK™

- Extremely quick tack
- Non-flamable wet or dry



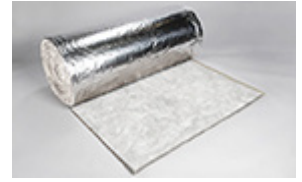
PART #	DESCRIPTION
QS12	SPRAYABLE DUCT ADHESIVE 12 lb CYLINDER SOLVENT BASE DUCTMATE
QS40	SPRAYABLE DUCT ADHESIVE 40 lb CYLINDER SOLVENT BASE DUCTMATE
QSH6	SPRAY HOSE 6' DUCTMATE
QSH12	SPRAY HOSE 12' DUCTMATE
QSSG	ADHESIVE SPRAY GUN DUCTMATE

WRAP & DUCT LINER



MICROLITE FSK DUCT-WRAP

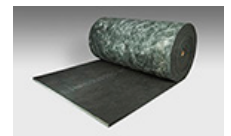
- Formaldehyde-free® fiberglass
- Blanket-type duct wrap with FSK facing



PART #	DESCRIPTION
FSKL	WRAP DUCT 1-1/2"x48"x100' 3/4 lb TYPE 75 R4.2 MANVILLE (4)
FSKL-2	WRAP DUCT 2"x48"x75' 3/4 lb TYPE 75 R6.5 MANVILLE (4)
FSKL-3	WRAP DUCT 3"x48"x50' 3/4 lb TYPE 75 R8.3 MANVILLE (4)
FSKL-4	WRAP DUCT 44"x48"x45' R12 TYPE 75 MANVILLE (4)

LINACOUSTIC RC

- Fiberglass duct liner w/ glass mat airstream surface and antimicrobial coating



PART #	DESCRIPTION
RCLINER-1/2X47	LINER DUCT RC 1/2"x47"x100' MANVILLE (6)
RCLINER-1/2X59	LINER DUCT RC 1/2"x59"x100' MANVILLE (6)
RCLINER-1X35-1/2	LINER DUCT RC 1"x35-1/2"x100' MANVILLE R4.2
RCLINER-1X47	LINER DUCT RC 1"x47"x100' MANVILLE R4.2 (4)
RCLINER-1X48	LINER DUCT RC 1"x48"x100' MANVILLE R4.2
RCLINER-1X56	LINER DUCT RC 1"x56"x100' MANVILLE R4.2 (4)
RCLINER-1X59	LINER DUCT RC 1"x59"x100' MANVILLE R4.2 (4)
RCLINER-1X60	LINER DUCT RC 1"x60"x100' MANVILLE R4.2
RCLINER-1-1/2X47	LINER DUCT RC 1-1/2"x47"x50' MANVILLE R6.3 (4)
RCLINER-1-1/2X59	LINER DUCT RC 1-1/2"x59"x50' MANVILLE R6.3 (4)
RCLINER-2X47	LINER DUCT RC 2"x47"x50' MANVILLE R8.0 (4)
RCLINER-2X56	LINER DUCT RC 2"x56"x50' MANVILLE R8.0 (4)
RCLINER-2X59	LINER DUCT RC 2"x59"x50' MANVILLE R8.0 (4)
RCLINER-3X47	LINER DUCT RC 3"x47"x50' R12 MANVILLE (4)
RCLINER-3X56	LINER DUCT RC 3"x56"x50' R12 MANVILLE (4)
RCLINER-3X59	LINER DUCT RC 2"x56"x50' R12 MANVILLE (4)

MICROLITE VINYL

- Flame attenuated fiberglass, Vinyl-faced

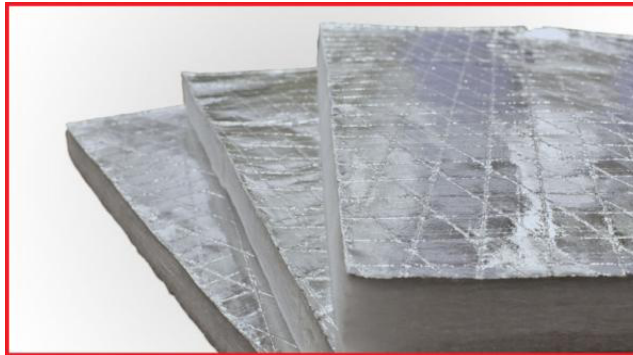


PART #	DESCRIPTION
VINYL	WRAP DUCT WITH VINYL 1-1/2"x48"x100' MANVILLE
VINYL-2	WRAP DUCT WITH VINYL 2"x48"x75' MANVILLE

POLYARMOR™

FEATURES & BENEFITS

High Noise Reduction Coefficient (NRC) value <i>Provides excellent sound absorption</i>
Smooth and extremely durable facing <i>Reduces damage during fabrication and transportation</i>
Made of soft user friendly and hypoallergenic polyester <i>Eliminates irritation during handling</i>
Engineered for application with water based adhesives <i>Eliminates the need for toxic or expensive adhesives</i>
Labor saving alternative to elastomeric duct liner <i>Saves you time and money</i>
Made of 25% recycled content <i>For increased sustainability</i>
Mildew and mold resistant <i>Does not promote or support the growth of mold or mildew</i>
Light weight design with excellent rebound <i>Reduces the overall weight of the duct system</i>



PART #	DESCRIPTION
PALINER-1X47	LINER DUCT POLYARMOR 1"X47.5"X100' DUCTMATE R4.2
PALINER-1X48	LINER DUCT POLYARMOR 1"X48"X100' DUCTMATE R4.2
PALINER-1X56	LINER DUCT POLYARMOR 1"X56.25"X100' DUCTMATE R4.2
PALINER-1X59	LINER DUCT POLYARMOR 1"X59"X100' DUCTMATE R4.2
PALINER-1X60	LINER DUCT POLYARMOR 1"X60"X100' DUCTMATE R4.2
PALINER-1-1/2X47	LINER DUCT POLYARMOR 1-1/2"X47.5"X50' DUCTMATE R6
PALINER-1-1/2X59	LINER DUCT POLYARMOR 1-1/2"X59"X50' DUCTMATE R6
PALINER-2X47	LINER DUCT POLYARMOR 2"X47.5"X50' DUCTMATE R8
PALINER-2X56	LINER DUCT POLYARMOR 2"X56.25"X50' DUCTMATE R8
PALINER-2X59	LINER DUCT POLYARMOR 2"X59"X50' DUCTMATE R8

UNIVERSAL PRESS ON BULLNOSING

- Double sided gasket for fast application
- Available for 1", 1-1/2", and 2" insulation

PART #	DESCRIPTION
BN1GA	BULL NOSING PRESS ON UNIVERSAL 10' DUCTMATE

LAG-IT™

- Duct liner edge treatment
- Encapsulates fibers, repairs liner tears

PART #	DESCRIPTION
LAGIT1B	MULTIPURPOSE ADHESIVE/COATING DUCTMATE 1 GAL WHITE
LAGIT5B	MULTIPURPOSE ADHESIVE/COATING DUCTMATE 5 GAL WHITE
LAGIT1W	MULTIPURPOSE ADHESIVE/COATING DUCTMATE 1 GAL BLACK
LAGIT5W	MULTIPURPOSE ADHESIVE/COATING DUCTMATE 5 GAL BLACK

RIB PINS

- Cupped head prevents tearing of liner
- Ribbed shaft creates a cooler weld

PART #	DESCRIPTION
CPB-12	PIN RIB 1/2" (5000 PACK) DURO DYNE
CPB-150	PIN RIB 1-1/2" (3000 PACK) DURO DYNE

ECONO-POINT PINS (BOXED)

PART #	DESCRIPTION
FTC-12	FASTENER 1/2" (5000 PACK) ECONOMY PIN DURO DYNE (20)
FTC-34	FASTENER 3/4" (5000 PACK) ECONOMY PIN DURO DYNE (20)
FTC-100	FASTENER 1" (5000 PACK) ECONOMY PIN DURO DYNE (20)
FTC-118	FASTENER 1-1/8" (3000 PACK) ECONOMY PIN DURO DYNE
FTC-150	FASTENER 1-1/2" (3000 PACK) ECONOMY PIN DURO DYNE
FTC-200	FASTENER 2" (3000 PACK) ECONOMY PIN DURO DYNE

GOLD SEAL PINS

- Hot metal adhesive on underside of washer
- Recommended for welding to foil backed insulation

PART #	DESCRIPTION
SSP34	PIN GOLD SEAL 3/4" (1000 PACK) DURO DYNE
SSP100	PIN GOLD SEAL 1" (1000 PACK) DURO DYNE
SSPB34	PIN GOLD SEAL 3/4" (5000 PACK) DURO DYNE
SSPB100	PIN GOLD SEAL 1" (5000 PACK) DURO DYNE

SPOTTER PINS

PART #	DESCRIPTION
PN-34	PIN SPOTTER (1000 PACK) 1/2" DUCT LINER DURO DYNE
PN-114	PIN SPOTTER (1000 PACK) 1" DUCT LINER DURO DYNE
PN-200	FASTENER 2" (3000 PACK) ECONOMY PIN DURO DYNE

SPOTTER CLIPS

- Use with spotter pins

PART #	DESCRIPTION
PC-1	CLIP SPOTTER (1000 PACK) DURO DYNE

ADHESIVE FASTENERS

- Self adhesive hanger with washer
- 2"X2" galvanized 28 gauge steel



PART #	DESCRIPTION
SAH34	HANGER 3/4" (100 PACK) & STEEL WASHER DURO DYNE (10)
SAH-114	HANGER 1-1/4" (100 PACK) & STEEL WASHER DURO DYNE (10)
SAHB200	HANGER 2" (500 PACK) & NYLON WASHER DURO DYNE
SAH250	HANGER 2-1/2" (100 PACK) & STEEL WASHER DURO DYNE (10)

QUADLINE™ DAMPER QUADRANTS

- For square or round dampers
- Excellent handle action, quick wing nut adjusting



3/8" QUADRANT SETS (FOR DAMPERS UP TO 20")

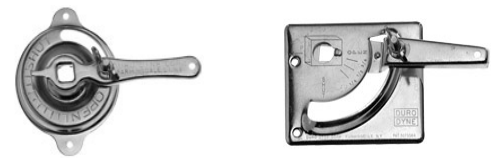
PART #	DESCRIPTION
KS38	QUADRANT DAMPER SET 3/8" DURO DYNE (10)
KS385	QUADRANT DAMPER SET 3/8" DURO DYNE (10)
K4	QUADRANT ONLY 3/8" DURO DYNE

1/2" QUADRANT SETS (FOR DAMPERS UP TO 30")

PART #	DESCRIPTION
KS12	QUADRANT DAMPER SET 1/2" DURO DYNE (10)
KL7R	LOCK SHAFT 1/2" DURO DYNE (100 PACK)

STAMPLINE™ REGULATORS

- For square or round dampers
- Excellent handle action, quick wing nut adjusting



3/8" DIAL REGULATOR SETS AND END BEARINGS (FOR DAMPERS UP TO 20")

PART #	DESCRIPTION
KSR-195	REGULATOR DAMPER SET 3/8" DURO DYNE

3/8" "WEDGE-LOC®" REGULATOR SETS (FOR DAMPERS UP TO 20")

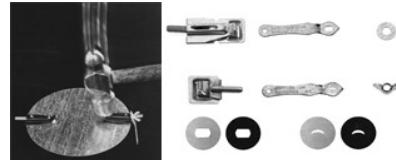
PART #	DESCRIPTION
KS195	WEDGE LOC DAMPER SET 3/8" DURO DYNE

1/4" DIAL REGULATOR SETS AND BEARINGS (FOR DAMPERS UP TO 10")

PART #	DESCRIPTION
KS145	REGULATOR DAMPER SET 1/4" DURO DYNE (100)

RAPIT® DAMPER REGULATOR

- Inexpensive, rattle free regulator
- Quick installation on balance or splitter dampers



PART #	DESCRIPTION
69R	SINGLE BEARING KIT REGULATOR RAPIT RS156 DURO DYNE (10)
70R	DOUBLE BEARING KIT REGULATOR RAPIT RS256 DURO DYNE (10)

SLIDE RAPIT EXTENSION

- Extends end bearing 2"
- Easy slide on application



PART #	DESCRIPTION
SRE1	SLIDE RAPIT EXTENSION DURO DYNE (100)

ESO STANDOFF REGULATOR

- Standoff with economy handle - square
- For use on square rod on externally insulated duct



PART #	DESCRIPTION
ES038-100	REGULATOR STANDOFF 3/8"x1" DURO DYNE (10)
ES0-12R-150	HANDLES 1/2" DURO DYNE

MULTI-BLADE DAMPER HARDWARE

- For parallel dampers
- Self aligning linkage bracket



NEVA-BIND™ DURO BLADE KIT

PART #	DESCRIPTION
BK2	KIT PARALLEL BLADE 1/2" DURO DYNE (10)

SPECLINE® DAMPER REGULATORS

- Cast alloy
- Heavy stamped handle

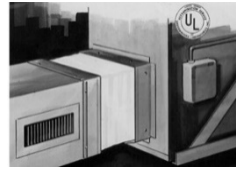


SRH SERIES HANDLE SET CAST

PART #	DESCRIPTION
SRH-288	REGULATOR SPECLINE 3/8" HANDLE HEX NUT DURO DYNE (10)
SRHS388	REGULATOR SPECLINE 3/8" HEX NUT DURO DYNE (10)

FLEXIBLE DUCT CONNECTOR

- Eliminates duct system noises and vibrations
- Airtight flexible joint



EXCELON®

PART #	DESCRIPTION
JBX100	CONNECTOR EXCELON 28 ga BLACK JR 100' DURO DYNE (40 PER SKID)
JFF	CONNECTOR 28 ga EXCELON LIGHT DURO DYNE 10031
MBX4	CONNECTOR METAL DOUBLE FOLD DURO DYNE 10159 MBX333
MBX4X4X4X100	CONNECTOR DOUBLE FOLD (RED BOX) 4"x4"x4"x100' DURO DYNE 10210

NEOPRENE (SPECIFICATION GRADE)

PART #	DESCRIPTION
MFN4-100	CONNECTOR DUCT DURO DYNE 10003
MFN4X4X4	CONNECTOR NEOPRENE 24 ga 100' DURO DYNE

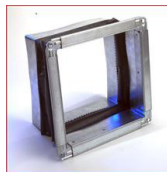
SINGLE FOLD

PART #	DESCRIPTION
SMBX4	CONNECTOR SINGLE FOLD 24 ga 3"x3"x3"x100' EXCELON DURO DYNE
SMFN4	CONNECTOR SINGLE FOLD 24 ga 4"x4"x4"x100' NEOPRENE DURO DYNE



PROflex™

- Airtight and waterproof
- Double locking metal to fabric



PART #	DESCRIPTION
PFC3VSGA	PROFLEX 3X3X3 VINYL FLEX CONNECTOR DUCTMATE
PFC4VSGA	PROFLEX 4X4X4 VINYL FLEX CONNECTOR DUCTMATE
PFC3NGA	PROFLEX 3X3X3 NEOPRENE FLEX CONNECTOR DUCTMATE
PFC4NGA	PROFLEX 4X4X4 NEOPRENE FLEX CONNECTOR DUCTMATE
PFR03VGA	CONNECTOR 1-3/4X3X1-3/4 VINYL DUCTMATE

FIRE PROTECTION PRODUCTS

All fire protection products come in various sizes. Contact your TM for stock sizes. Special order sizes available.



FIRE DAMPERS

- 1-1/2 Hour ul classified
- Static fire damper curtain style



COMBINATION FIRE & SMOKE DAMPERS

- 1-1/2 Hour & 3 hour rated
- Class I, II, III



SMOKE DAMPERS

- 250°F or 350°F temperature ratings
- Class I, II, III



AIR CONTROL DAMPERS

- Manual air control damper for field installed actuators

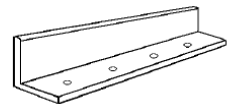


CEILING RADIATION DAMPERS

- Available damper only, in boot or box

RETAINING ANGLES FOR FIRE DAMPERS

- Pre-punched 7/32 holes for faster fastening of angle to sleeve
- Hole spacing is 3" on center
- SMANCA class E rigidity



PART #	DESCRIPTION	CTN/QTY
AI1.520GA14500	ANGLE GALV 1-1/2"x1-1/2"x20' 14 ga DUCTMATE	25
AI1.520GA16500	ANGLE GALV 1-1/2"x1-1/2"x20' 16 ga DUCTMATE	25

ANN ARBOR

2440 South Industrial Highway | Ann Arbor, MI 48104
734.761.5511
24 Hr. Emergency #734.323.7422

COMSTOCK PARK

320 Dodge St. NE, Suite D | Comstock Park, MI 49321
616.552.9440
24 Hr. Emergency #616.862.4866

FLINT

5402 Hill 23 Drive | Flint, MI 48507
810.743.1160
24 Hr. Emergency #810.523.8482

GRAND RAPIDS

4900 Clyde Park SW | Grand Rapids, MI 49509
616.531.4400
24 Hr. Emergency #616.862.4866

JACKSON

1411 East High Street | Jackson, MI 49203
517.789.7191
24 Hr. Emergency #517.812.2607

KALAMAZOO

929 Second Street | Kalamazoo, MI 49001
269.343.5504
24 Hr. Emergency #269.217.8518

LANSING

3100 West Main | Lansing, MI 48917
517.371.1770
24 Hr. Emergency #989.205.8414

LIVONIA

31899 Glendale Street | Livonia, MI 48150
734.524.0623
24 Hr. Emergency #734.323.7418

MACOMB

51460 Regency Center Drive | Macomb, MI 48042
586.677.1590
24 Hr. Emergency #586.623.9811

MUSKEGON

2501 Roberts Street | Muskegon, MI 49444
231.733.4421
24 Hr. Emergency #231.206.9570

NEW HUDSON

30158 Research Dr. | New Hudson, MI 48165
248.437.3070
24 Hr. Emergency #517.812.8954

PONTIAC

1501 Telegraph Road | Bloomfield Hills, MI 48302
248.335.6527
24 Hr. Emergency #248.648.0538

SAGINAW

3225 Enterprise | Saginaw, MI 48603
989.799.4805
24 Hr. Emergency #989.239.1573

ST. JOSEPH

3645 Tennis Court | St. Joseph, MI 49085
269.281.4330
24 Hr. Emergency #269.332.4003

TAYLOR

13301 Huron Dr. | Taylor, MI 48180
734.374.8231
24 Hr. Emergency #313.570.8980

TOLEDO

1225 East Manhattan Boulevard | Toledo, OH 43608
419.727.8700
24 Hr. Emergency #419.466.6642

TRAVERSE CITY

1244 East Carver St. | Traverse City, MI 49686
231.946.7391
24 Hr. Emergency #231.218.7177

WARREN

26444 Groesbeck Highway | Warren, MI 48089
586.779.1730
24 Hr. Emergency #586.634.9322

Overnight Delivery to Each Branch Location From Our Distribution Center

BEHLER-YOUNG
C O M P A N Y